



The TT225 is perfect as a larger event tent. This tent type has several extension options, such as hard walls, an insulated roof and several types of doors. This tent has a side height of up to 4.5 metres.

Its unique dovetail joints make it easy to build with a forklift and winch. Efficient, large and strong: we understand why our customers use the TT225 for the bigger jobs.



This tent type is **widely used** for:



Fairs and conferences



Events



Showrooms



Hospitality



Retail



VIP rooms



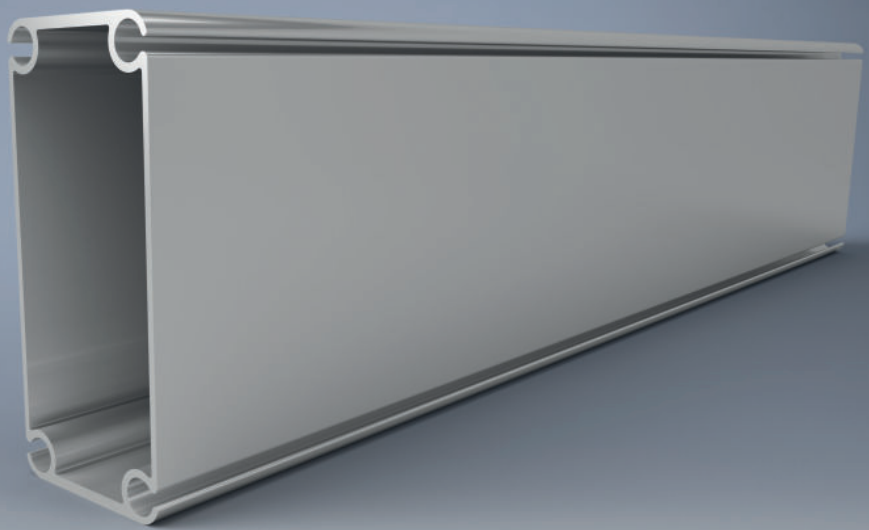
Festivals



Weddings

Technical details

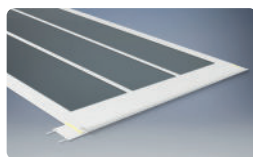
# TT225



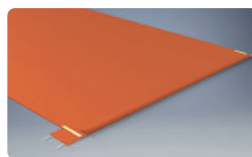
## General specifications

<b>Width:</b>	10.00 m   15.00 m   20.00 m   25.00 m
<b>Length:</b>	Unlimited extension of 5.00 m
<b>Side height:</b>	2.30 m   3.00 m   4.50 m
<b>Ridge height:</b>	4.21 m - 8.67 m
<b>Roof covering:</b>	Translucent PVC canvas   Opaque (block-out) PVC canvas
<b>Roof construction:</b>	Ridge construction   Curved roof construction
<b>Gable covering:</b>	Translucent PVC canvas   Opaque (block-out) PVC canvas
<b>Profile dimension:</b>	225 x 101 mm
<b>Roof pitch:</b>	18 degrees
<b>Maximum wind load:</b>	100 km/h
<b>Maximum snow load:</b>	Upon request
<b>Aluminium :</b>	AL6082   AL6005 Natural anodised Highly abrasion-resistant High corrosion resistance

### Additional options:



Transparent PVC canvas



Coloured PVC canvas



Solid wall panels



Glass wall panels



Roller shutter door



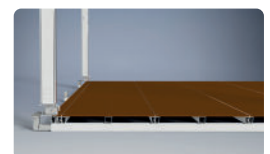
Sandwich wall panels



Manual sliding door



Heavy-duty flooring



Cassette flooring



Transport rack



Single wicket door



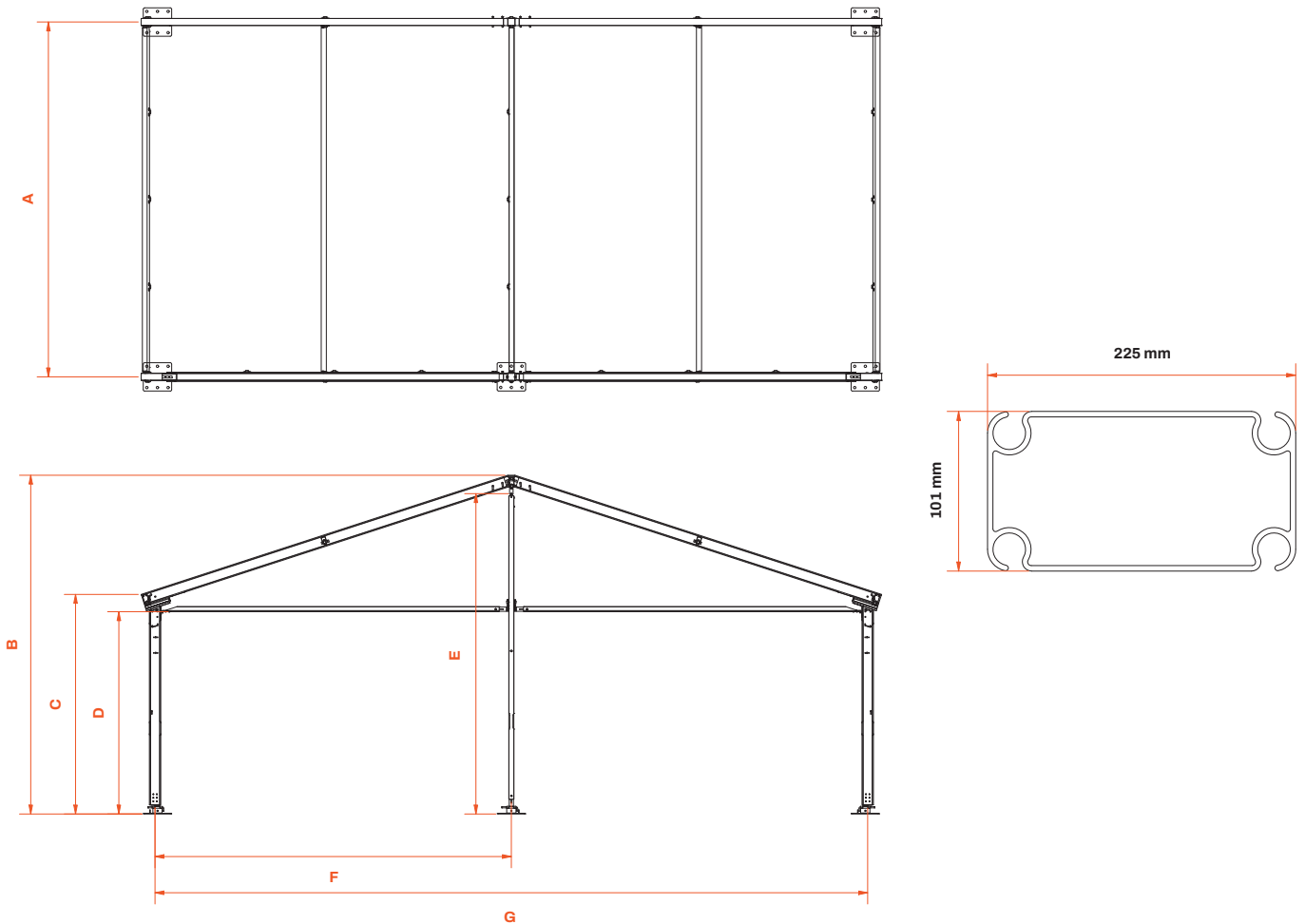
Double wicket door glass



Overhead door



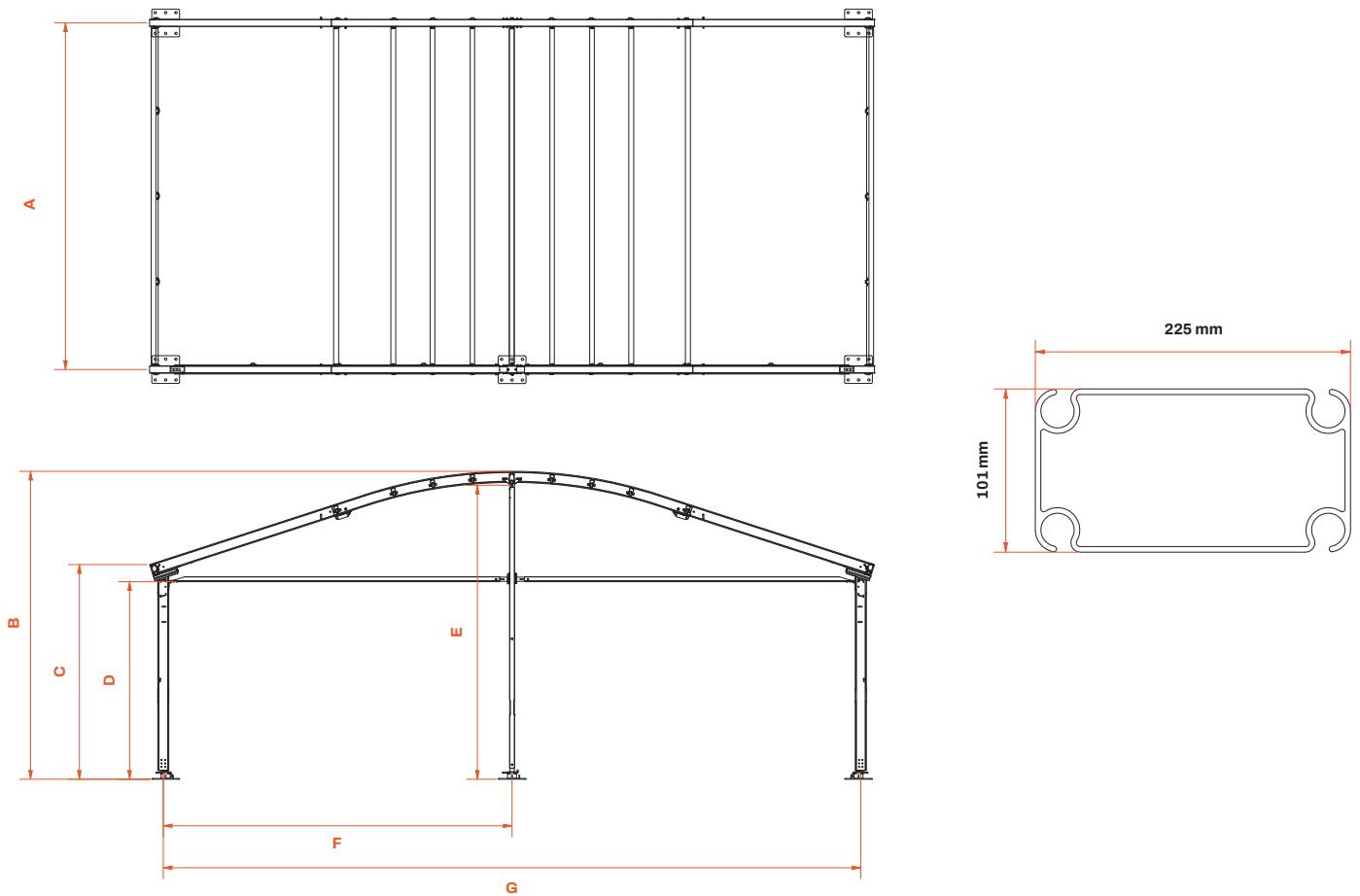
Connecting gutter between aluminum halls



**TT225 series | 10 metres | Ridge construction**

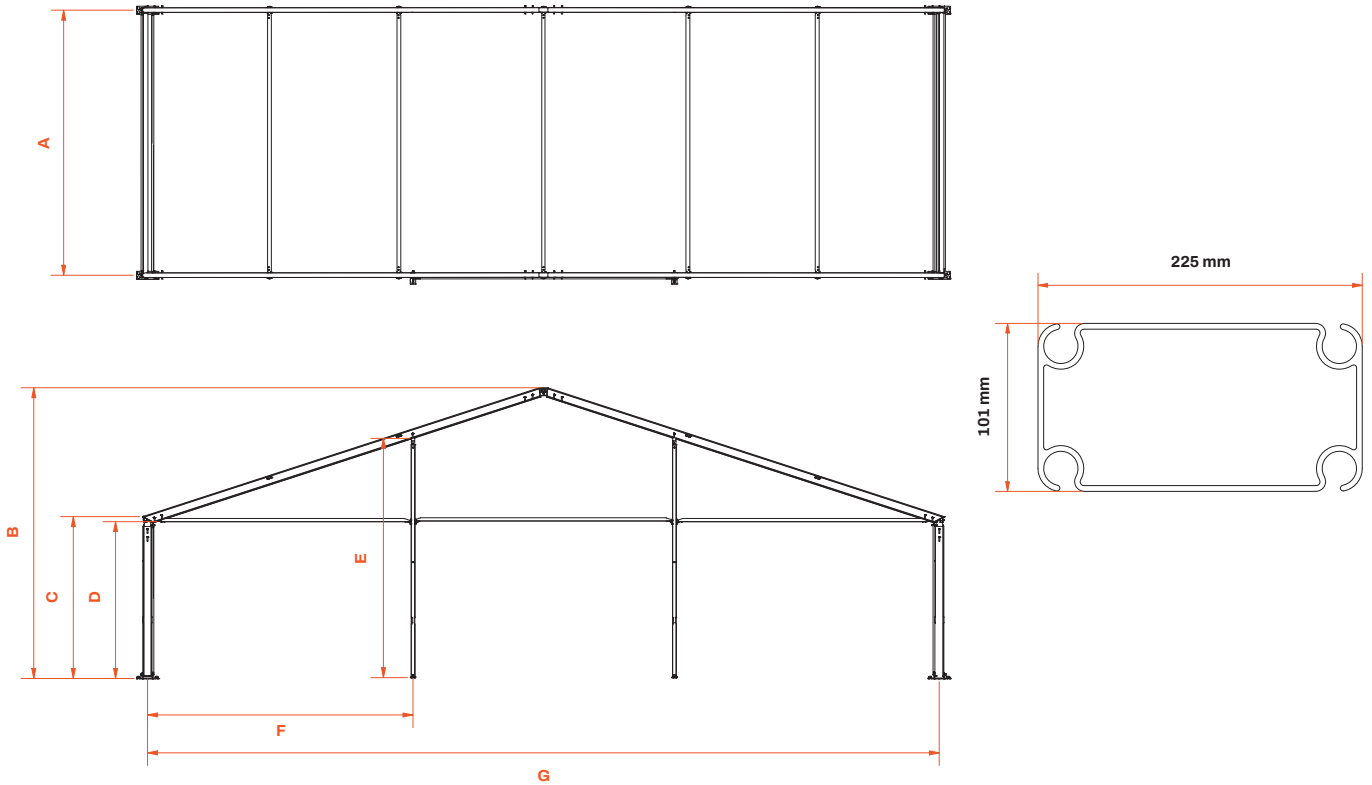
	10.00 m span 2.30 m side height	10.00 m span 3.00 m side height	10.00 m span 4.50 m side height
<b>A</b> Segment length c/c	5,000 mm	5,000 mm	5,000 mm
<b>B</b> Ridge height	4,206 mm	4,776 mm	6,236 mm
<b>C</b> Side height	2,527 mm	3,097 mm	4,557 mm
<b>D</b> Passage height	2,127 mm	2,697 mm	4,157 mm
<b>E</b> Facade height	3,960 mm	4,530 mm	5,990 mm
<b>F</b> Columns c/c	4,970 mm	4,970 mm	4,970 mm
<b>G</b> Span c/c	9,942 mm	9,942 mm	9,942 mm





**TT225 series | 10 metres | Curved roof construction**

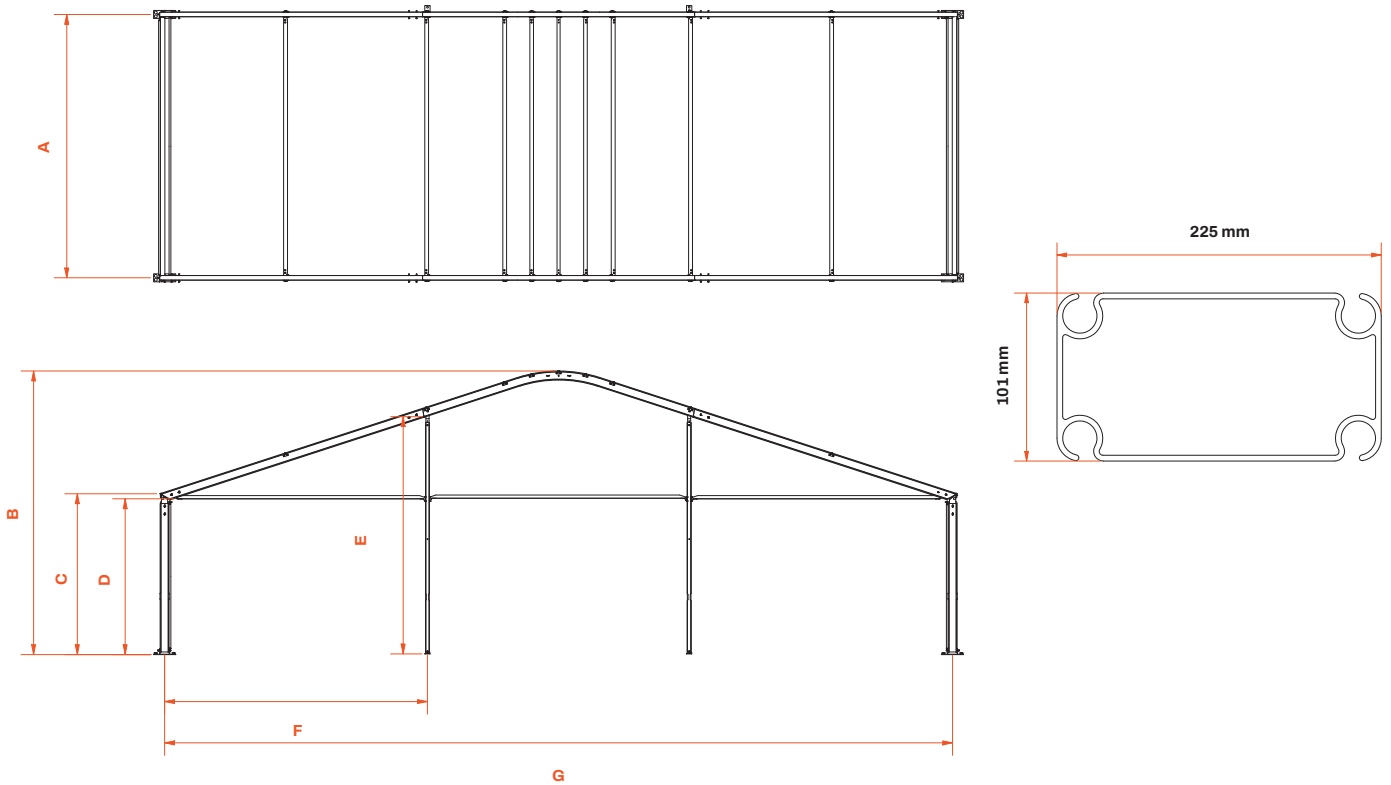
	10.00 m span 2.30 m side height	10.00 m span 3.00 m side height	10.00 m span 4.50 m side height
<b>A</b> Segment length c/c	5,000 mm	5,000 mm	5,000 mm
<b>B</b> Ridge height	3,871 mm	4,441 mm	5,901 mm
<b>C</b> Side height	2,527 mm	3,097 mm	4,557 mm
<b>D</b> Passage height	2,127 mm	2,697 mm	4,157 mm
<b>E</b> Facade height	3,625 mm	4,195 mm	5,655 mm
<b>F</b> Columns c/c	4,970 mm	4,970 mm	4,970 mm
<b>G</b> Span c/c	9,942 mm	9,942 mm	9,942 mm



**TT225 series | 15 metres | Ridge construction**

	15.00 m span 2.30 m side height	15.00 m span 3.00 m side height	15.00 m span 4.50 m side height
<b>A</b> Segment length c/c	5,000 mm	5,000 mm	5,000 mm
<b>B</b> Ridge height	5,017 mm	5,587 mm	7,047 mm
<b>C</b> Side height	2,527 mm	3,097 mm	4,557 mm
<b>D</b> Passage height	2,127 mm	2,697 mm	4,157 mm
<b>E</b> Facade height	3,959 mm	4,529 mm	5,989 mm
<b>F</b> Columns c/c	5,018 mm	5,018 mm	5,018 mm
<b>G</b> Span c/c	14,935 mm	14,935 mm	14,935 mm

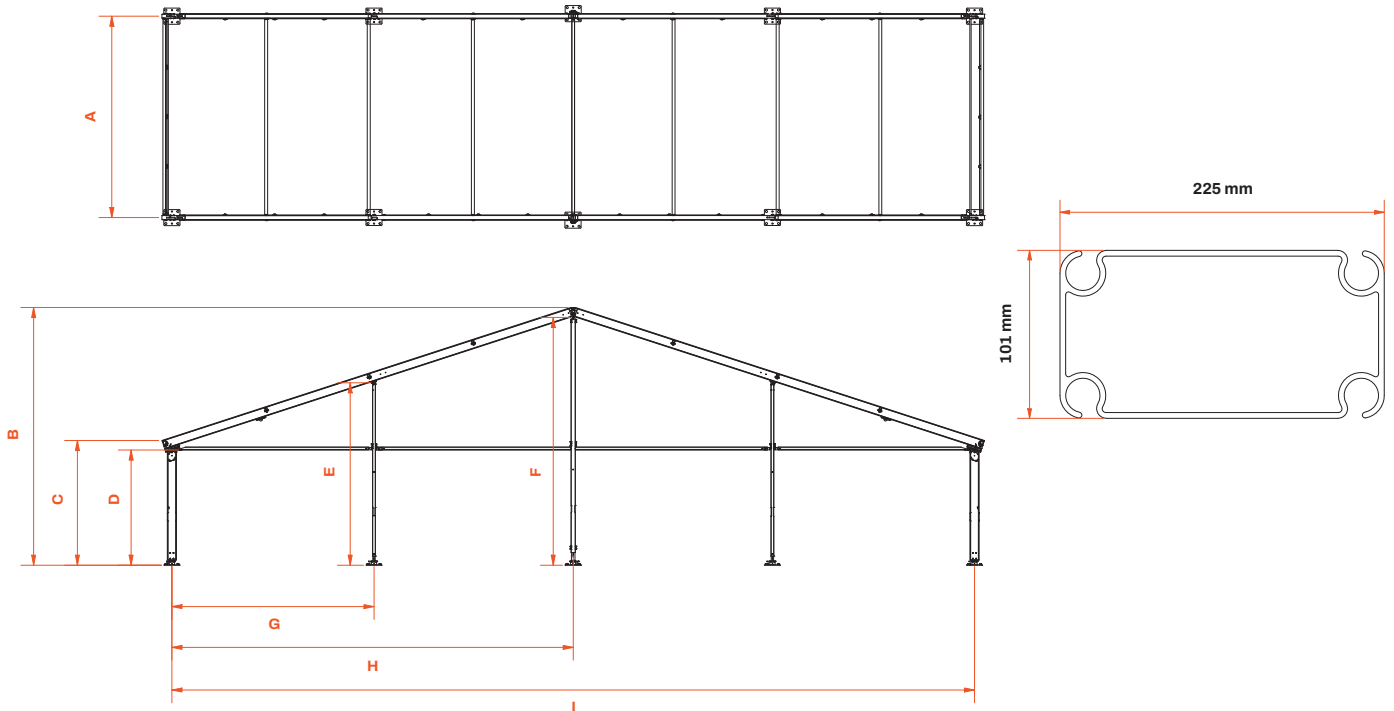




**TT225 series | 15 metres | Curved roof construction**

	15.00 m span 2.30 m side height	15.00 m span 3.00 m side height	15.00 m span 4.50 m side height
<b>A</b> Segment length c/c	5,000 mm	5,000 mm	5,000 mm
<b>B</b> Ridge height	4,682 mm	5,252 mm	6,712 mm
<b>C</b> Side height	2,527 mm	3,097 mm	4,557 mm
<b>D</b> Passage height	2,127 mm	2,697 mm	4,157 mm
<b>E</b> Facade height	3,959 mm	4,529 mm	5,989 mm
<b>F</b> Columns c/c	5,018 mm	5,018 mm	5,018 mm
<b>G</b> Span c/c	14,935 mm	14,935 mm	14,935 mm

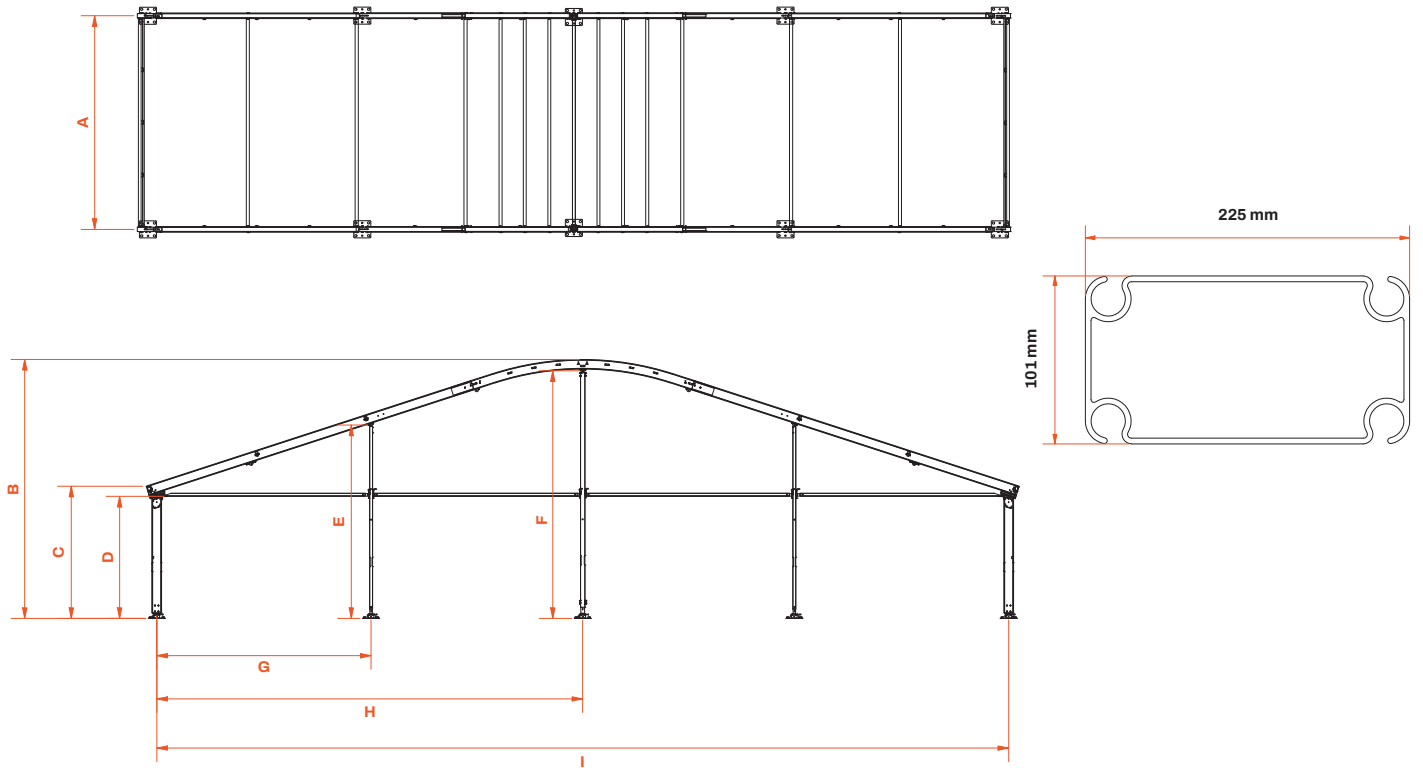




**TT225 series | 20 metres | Ridge construction**

	20.00 m span 2.30 m side height	20.00 m span 3.00 m side height	20.00 m span 4.50 m side height
<b>A</b> Segment length c/c	5,000 mm	5,000 mm	5,000 mm
<b>B</b> Ridge height	5,828 mm	6,398 mm	7,858 mm
<b>C</b> Side height	2,527 mm	3,097 mm	4,557 mm
<b>D</b> Passage height	2,127 mm	2,697 mm	4,157 mm
<b>E</b> Facade height 1	3,959 mm	4,529 mm	5,989 mm
<b>F</b> Facade height 2	5,580 mm	6,150 mm	7,610 mm
<b>G</b> Column 1 c/c	5,018 mm	5,018 mm	5,018 mm
<b>H</b> Column 2 c/c	9,963 mm	9,963 mm	9,963 mm
<b>I</b> Span c/c	19,928 mm	19,928 mm	19,928 mm



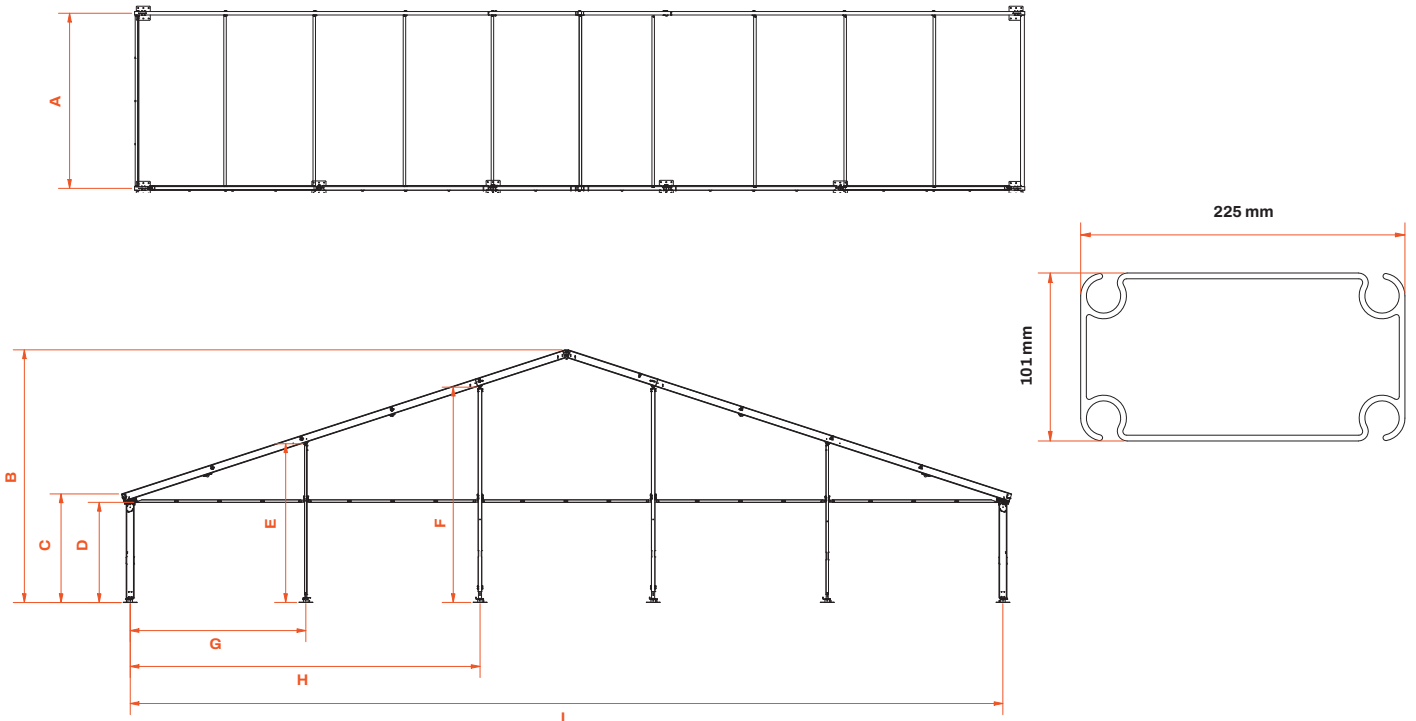


**TT225 series | 20 metres | Curved roof construction**

	20.00 m span 2.30 m side height	20.00 m span 3.00 m side height	20.00 m span 4.50 m side height
<b>A</b> Segment length c/c	5,000 mm	5,000 mm	5,000 mm
<b>B</b> Ridge height	5,493 mm	6,063 mm	7,523 mm
<b>C</b> Side height	2,527 mm	3,097 mm	4,557 mm
<b>D</b> Passage height	2,127 mm	2,697 mm	4,157 mm
<b>E</b> Facade height 1	3,959 mm	4,529 mm	5,989 mm
<b>F</b> Facade height 2	5,245 mm	5,815 mm	7,275 mm
<b>G</b> Column 1 c/c	5,018 mm	5,018 mm	5,018 mm
<b>H</b> Column 2 c/c	9,963 mm	9,963 mm	9,963 mm
<b>I</b> Span c/c	19,928 mm	19,928 mm	19,928 mm



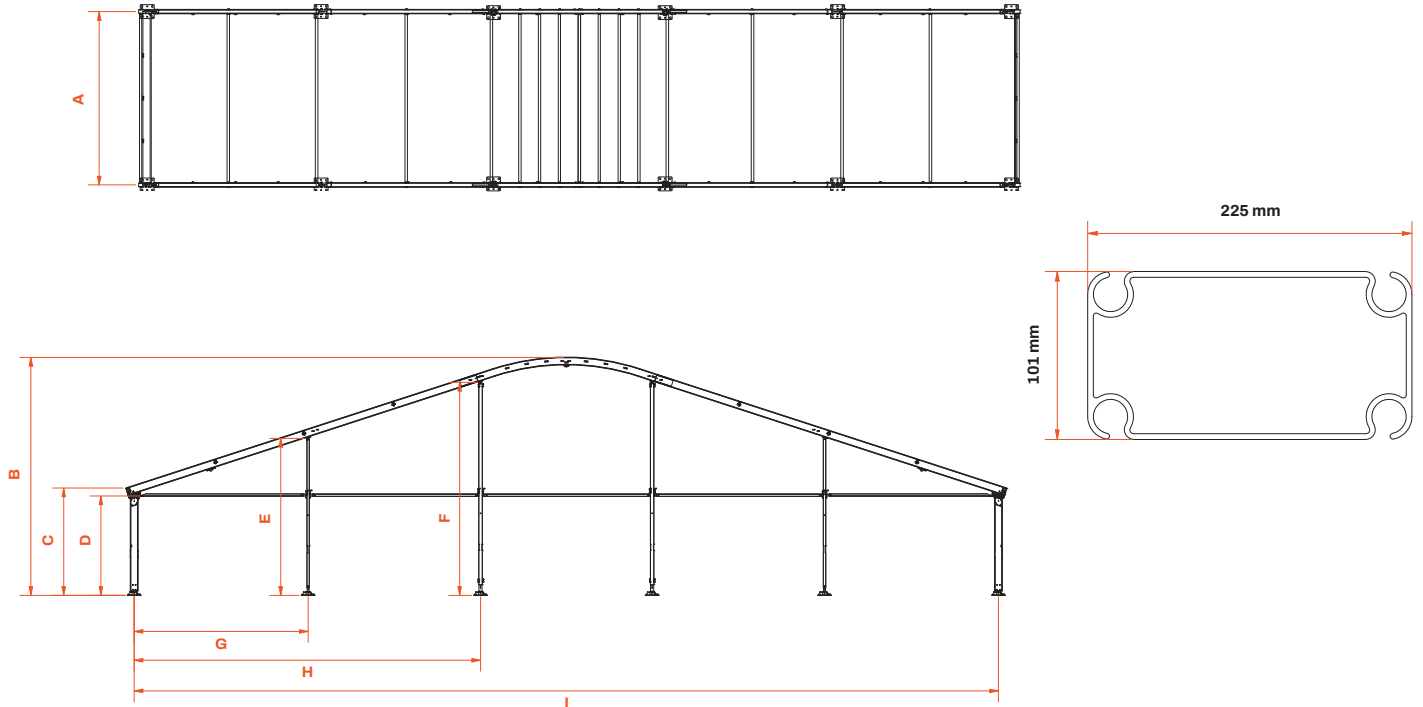




### TT225 series | 25 metres | Ridge construction

	25.00 m span 2.30 m side height	25.00 m span 3.00 m side height	25.00 m span 4.50 m side height
<b>A</b> Segment length c/c	5,000 mm	5,000 mm	5,000 mm
<b>B</b> Ridge height	6,640 mm	7,210 mm	8,670 mm
<b>C</b> Side height	2,527 mm	3,097 mm	4,557 mm
<b>D</b> Passage height	2,127 mm	2,697 mm	4,157 mm
<b>E</b> Facade height 1	3,959 mm	4,529 mm	5,989 mm
<b>F</b> Facade height 2	5,574 mm	6,144 mm	7,604 mm
<b>G</b> Column 1 c/c	5,018 mm	5,018 mm	5,018 mm
<b>H</b> Column 2 c/c	9,987 mm	9,987 mm	9,987 mm
<b>I</b> Span c/c	24,921 mm	24,921 mm	24,921 mm





**TT225 serie | 25 metres | Curved roof construction**

	25.00 m span 2.30 m side height	25.00 m span 3.00 m side height	25.00 m span 4.50 m side height
<b>A</b> Segment length c/c	5,000 mm	5,000 mm	5,000 mm
<b>B</b> Ridge height	6,305 mm	6,875 mm	8,335 mm
<b>C</b> Side height	2,527 mm	3,097 mm	4,557 mm
<b>D</b> Passage height	2,127 mm	2,697 mm	4,157 mm
<b>E</b> Facade height 1	3,959 mm	4,529 mm	5,989 mm
<b>F</b> Facade height 2	5,574 mm	6,144 mm	7,604 mm
<b>G</b> Column 1 c/c	5,018 mm	5,018 mm	5,018 mm
<b>H</b> Column 2 c/c	9,987 mm	9,987 mm	9,987 mm
<b>I</b> Span c/c	24,921 mm	24,921 mm	24,921 mm

