

# TT160



The TT160 is a heavier tent type in our range. The unique feature of this tent is that it can be ordered from 2.5 to as wide as 15 metres. This makes the TT160 a popular tent. It can easily be used for various events, for example as a luxury VIP pavilion.

This type of tent has many of the same components as the TT225. This makes the TT160 ideal for rental companies that already include a TT225 tent in their range. Tent Trading is one of the few in the Netherlands to offer this type of tent. If you want to know more about the TT160, please contact our specialists!



This tent type is **widely used** for:



Fairs and conferences



Events



Showrooms



Hospitality



Retail



VIP rooms

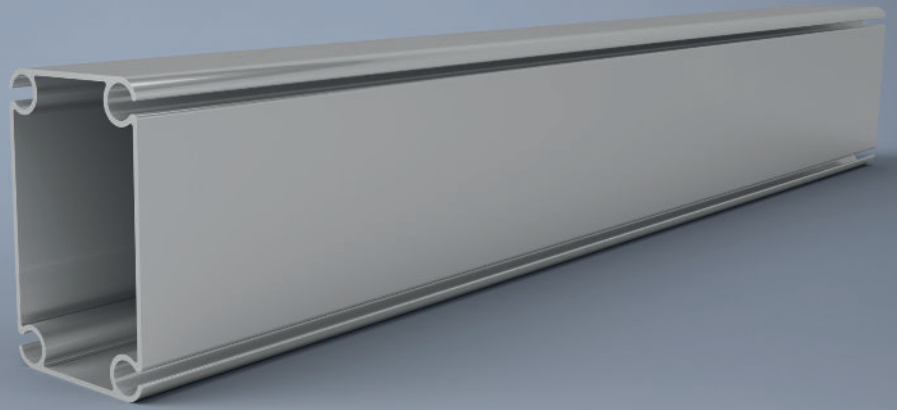


Festivals



Weddings

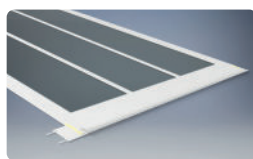
# TT160



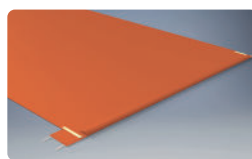
## General specifications

<b>Width:</b>	2.50 m   5.00 m   7.50 m   10.00 m   1.50 m   15.00 m   <i>Intermediate sizes upon request</i>
<b>Length:</b>	Unlimited extension by 5.00 m
<b>Side height:</b>	2.30 m   3.00 m
<b>Ridge height:</b>	2.88 m - 5.60 m
<b>Roof cladding:</b>	Translucent PVC canvas   Opaque (block-out) PVC canvas
<b>Roof construction:</b>	Ridge construction   Curved roof construction ( <i>not possible for 2.5 and 5 m wide</i> )
<b>Gable covering:</b>	Translucent PVC canvas   Opaque (block-out) PVC canvas
<b>Profile dimension:</b>	160 x 100 mm
<b>Roof pitch:</b>	18 degrees
<b>Maximum wind load:</b>	100 km/h
<b>Maximum snow load:</b>	Upon request
<b>Aluminium:</b>	AL6082   AL6005 Natural anodised Highly abrasion-resistant High corrosion resistance

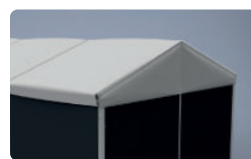
### Additional options:



Transparent PVC canvas



Coloured PVC canvas



Insulated roofs



Solid wall panels



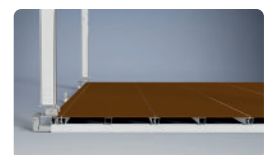
Glass wall panels



Sandwich wall panels



Heavy-duty flooring



Cassette flooring



Transport rack



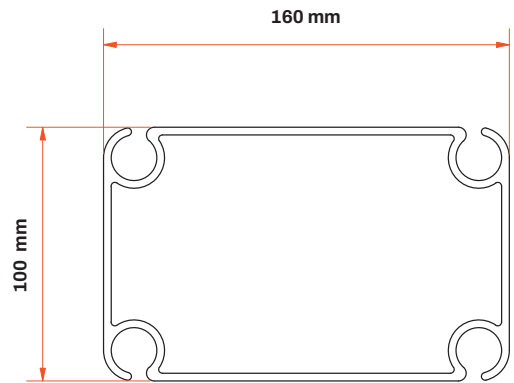
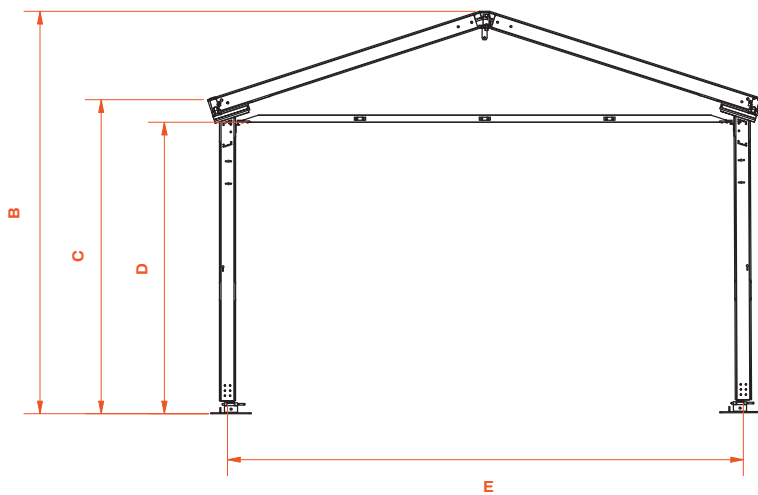
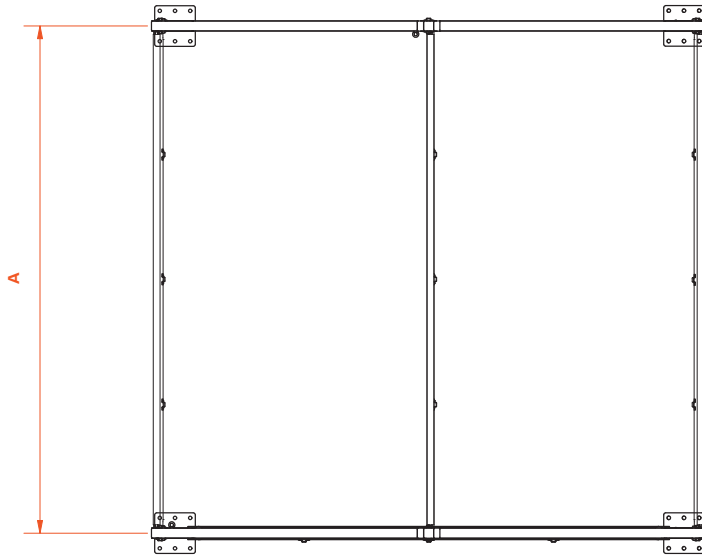
Single wicket door



Double wicket door glass

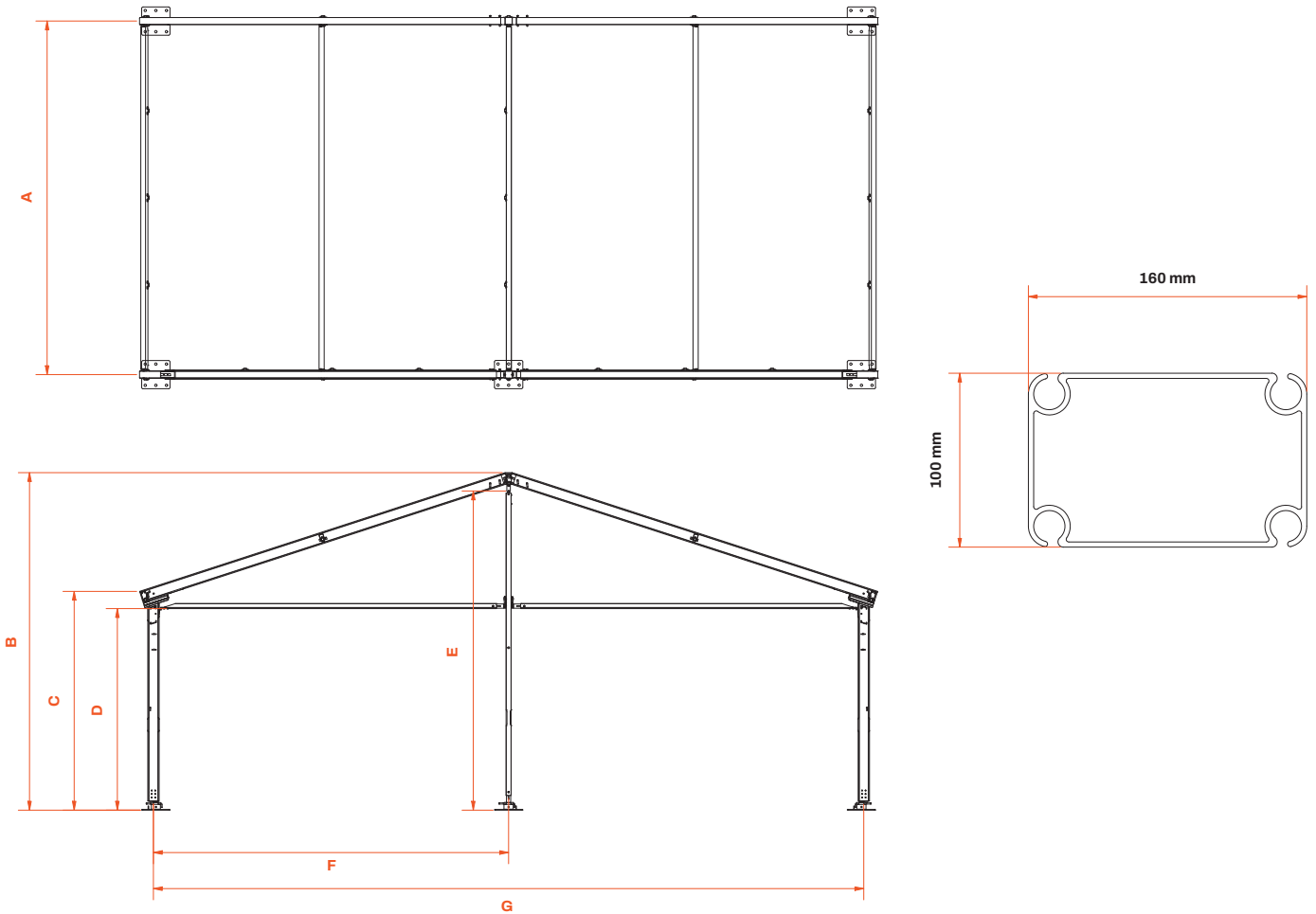


Connecting gutter between alu halls



TT160 series | 2.5 and 5 metres | Ridge construction

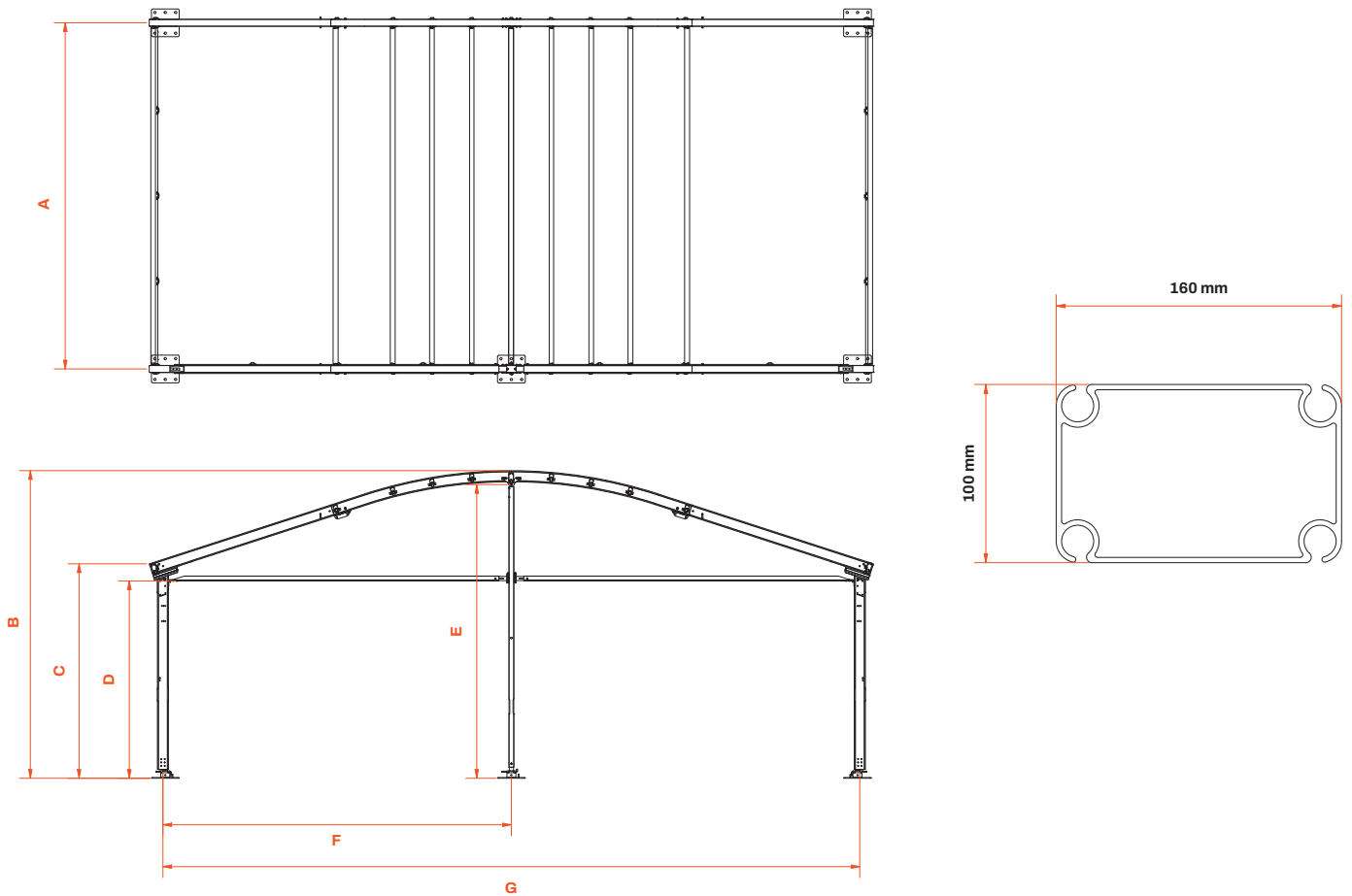
	2.50 m span 2.30 m side height	2.50 m span 3.00 m side height	5.00 m span 2.30 m side height	5.00 m span 3.00 m side height
<b>A</b> Segment length c/c	5,000 mm	5,000 mm	5,000 mm	5,000 mm
<b>B</b> Ridge height	2,883 mm	3,583 mm	3,278 mm	3,978 mm
<b>C</b> Side height	2,407 mm	3,107 mm	2,407 mm	3,107 mm
<b>D</b> Passage height	2,007 mm	2,707 mm	2,007 mm	2,707 mm
<b>E</b> Span c/c	2,636 mm	2,636 mm	5,069 mm	5,069 mm



**TT160 series | 7.5 en 10 metres | Ridge construction**

	7.50 m span 2.30 m side height	7.50 m span 3.00 m side height	10.00 m span 2.30 m side height	10.00 m span 3.00 m side height
<b>A</b> Segment length c/c	5,000 mm	5,000 mm	5,000 mm	5,000 mm
<b>B</b> Ridge height	3,680 mm	4,380 mm	4,083 mm	4,783 mm
<b>C</b> Side height	2,407 mm	3,107 mm	2,407 mm	3,107 mm
<b>D</b> Passage height	2,007 mm	2,707 mm	2,007 mm	2,707 mm
<b>E</b> Facade height	3,420 mm	4,120 mm	3,823 mm	4,523 mm
<b>F</b> Columns c/c	3,773 mm	3,773 mm	5,022 mm	5,022 mm
<b>G</b> Span c/c	7,546 mm	7,546 mm	10,044 mm	10,044 mm

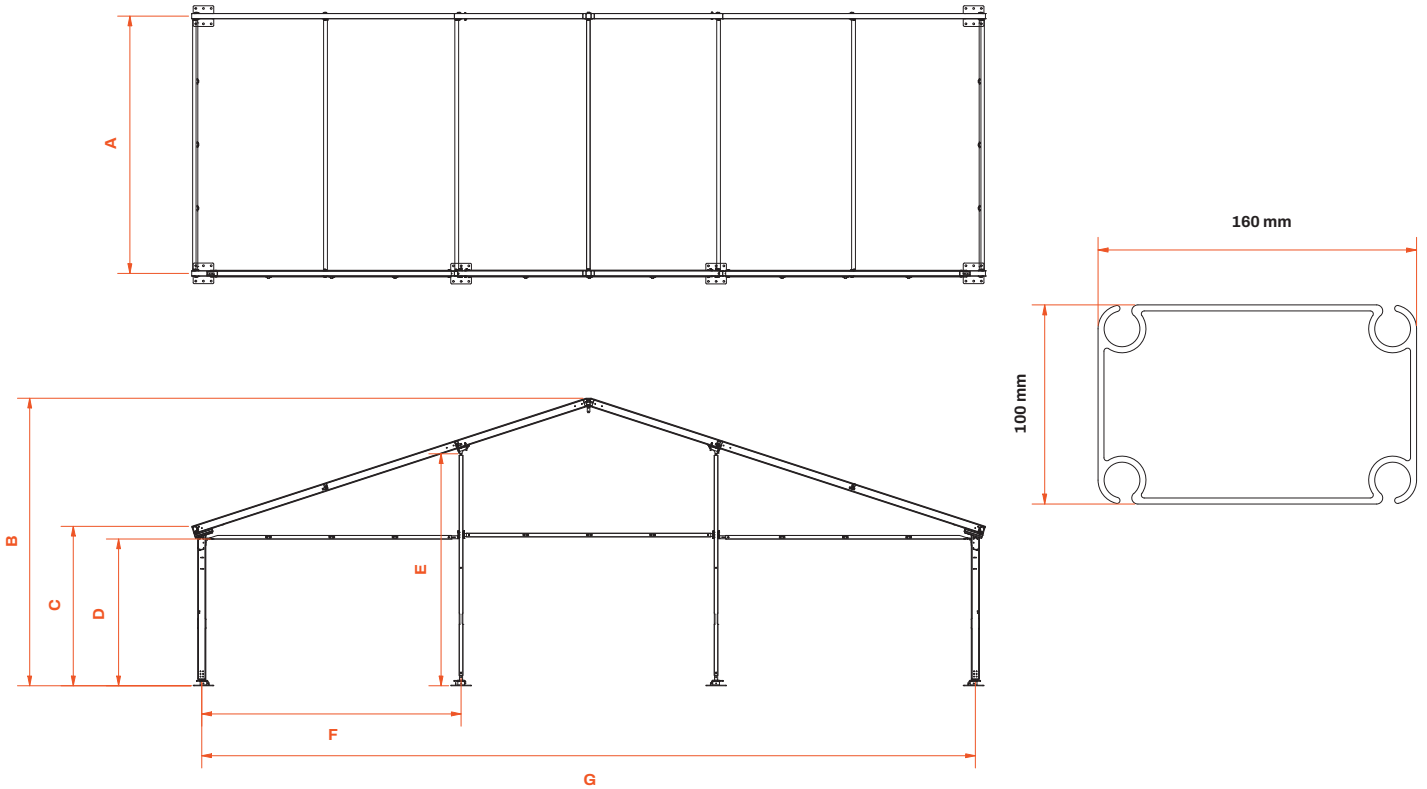




### TT160 series | 7.5 and 10 metres | Curved roof construction

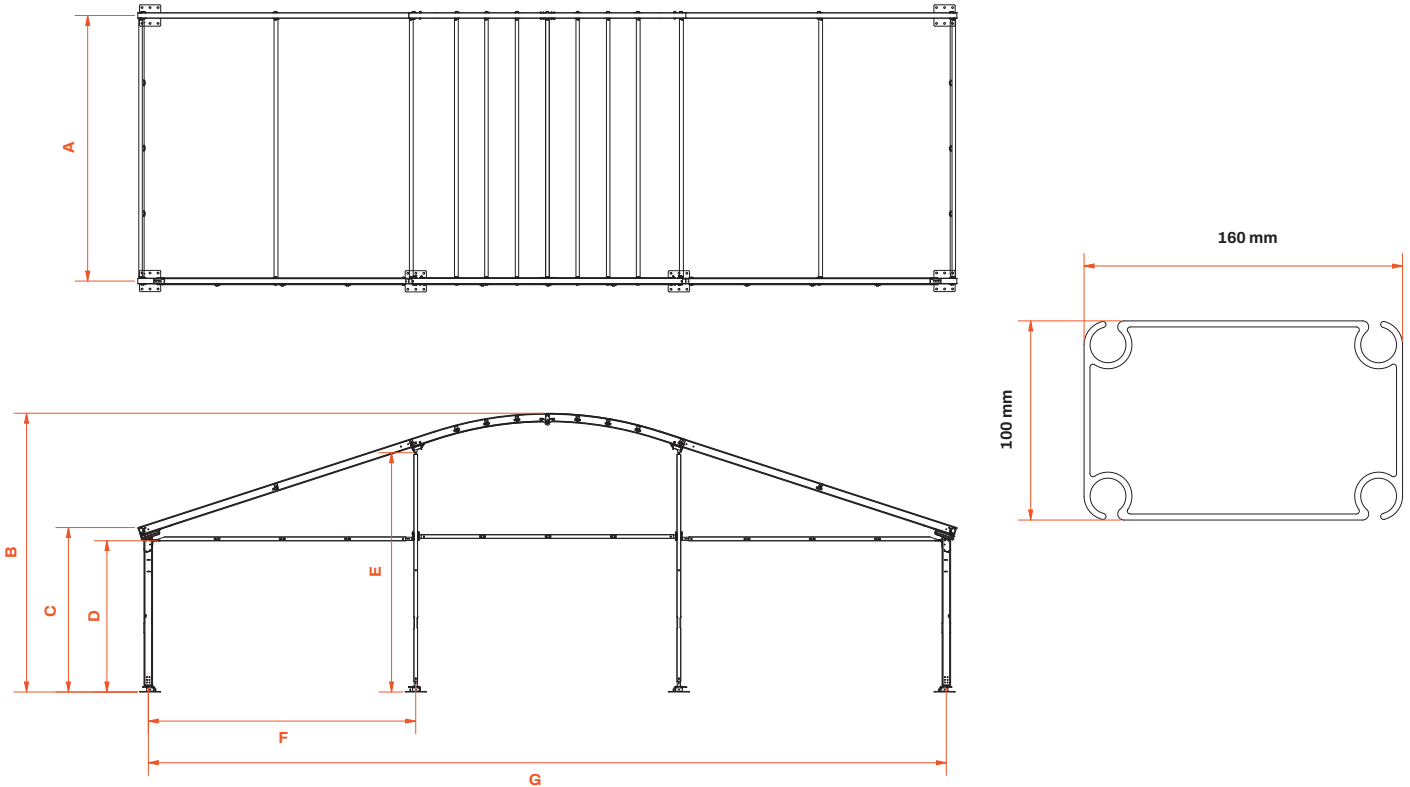
	7.50 m span 2.30 m side height	7.50 m span 3.00 m side height	10.00 m span 2.30 m side height	10.00 m span 3.00 m side height
<b>A</b> Segment length c/c	5,000 mm	5,000 mm	5,000 mm	5,000 mm
<b>B</b> Ridge height	3,345 mm	4,045 mm	3,748 mm	4,448 mm
<b>C</b> Side height	2,407 mm	3,107 mm	2,407 mm	3,107 mm
<b>D</b> Passage height	2,007 mm	2,707 mm	2,007 mm	2,707 mm
<b>E</b> Facade height	3,085 mm	3,785 mm	3,488 mm	4,188 mm
<b>F</b> Columns c/c	3,773 mm	3,773 mm	5,022 mm	5,022 mm
<b>G</b> Span c/c	7,546 mm	7,546 mm	10,044 mm	10,044 mm





TT160 serie   12,5 en 15 meter   Nokconstructie				
	12,50 m overspanning 2,30 m zijhoogte	12,50 m overspanning 3,00 m zijhoogte	15,00 m overspanning 2,30 m zijhoogte	15,00 m overspanning 3,00 m zijhoogte
<b>A</b> Segment lengte h.o.h.	5.000 mm	5.000 mm	5.000 mm	5.000 mm
<b>B</b> Nokhoogte	4.492 mm	5.192 mm	4.897 mm	5.597 mm
<b>C</b> Zijhoogte	2.407 mm	3.107 mm	2.407 mm	3.107 mm
<b>D</b> Doorloophoogte	2.007 mm	2.707 mm	2.007 mm	2.707 mm
<b>E</b> Gevelhoogte	3.413 mm	4.113 mm	3.818 mm	4.518 mm
<b>F</b> Kolommen h.o.h.	3.791 mm	3.791 mm	5.039 mm	5.039 mm
<b>G</b> Overspanning h.o.h.	12.539 mm	12.539 mm	15.036 mm	15.036 mm





TT160 serie | 12,5 en 15 meter | Boogconstructie

	12,50 m overspanning 2,30 m zijhoogte	12,50 m overspanning 3,00 m zijhoogte	15,00 m overspanning 2,30 m zijhoogte	15,00 m overspanning 3,00 m zijhoogte
<b>A</b> Segment lengte h.o.h.	5.000 mm	5.000 mm	5.000 mm	5.000 mm
<b>B</b> Nokhoogte	4.157 mm	4.857 mm	4.562 mm	5.262 mm
<b>C</b> Zijhoogte	2.407 mm	3.107 mm	2.407 mm	3.107 mm
<b>D</b> Doorloophoogte	2.007 mm	2.707 mm	2.007 mm	2.707 mm
<b>E</b> Gevelhoogte	3.413 mm	4.113 mm	3.818 mm	4.518 mm
<b>F</b> Kolommen h.o.h.	3.791 mm	3.791 mm	5.039 mm	5.039 mm
<b>G</b> Overspanning h.o.h.	12.539 mm	12.539 mm	15.036 mm	15.036 mm

