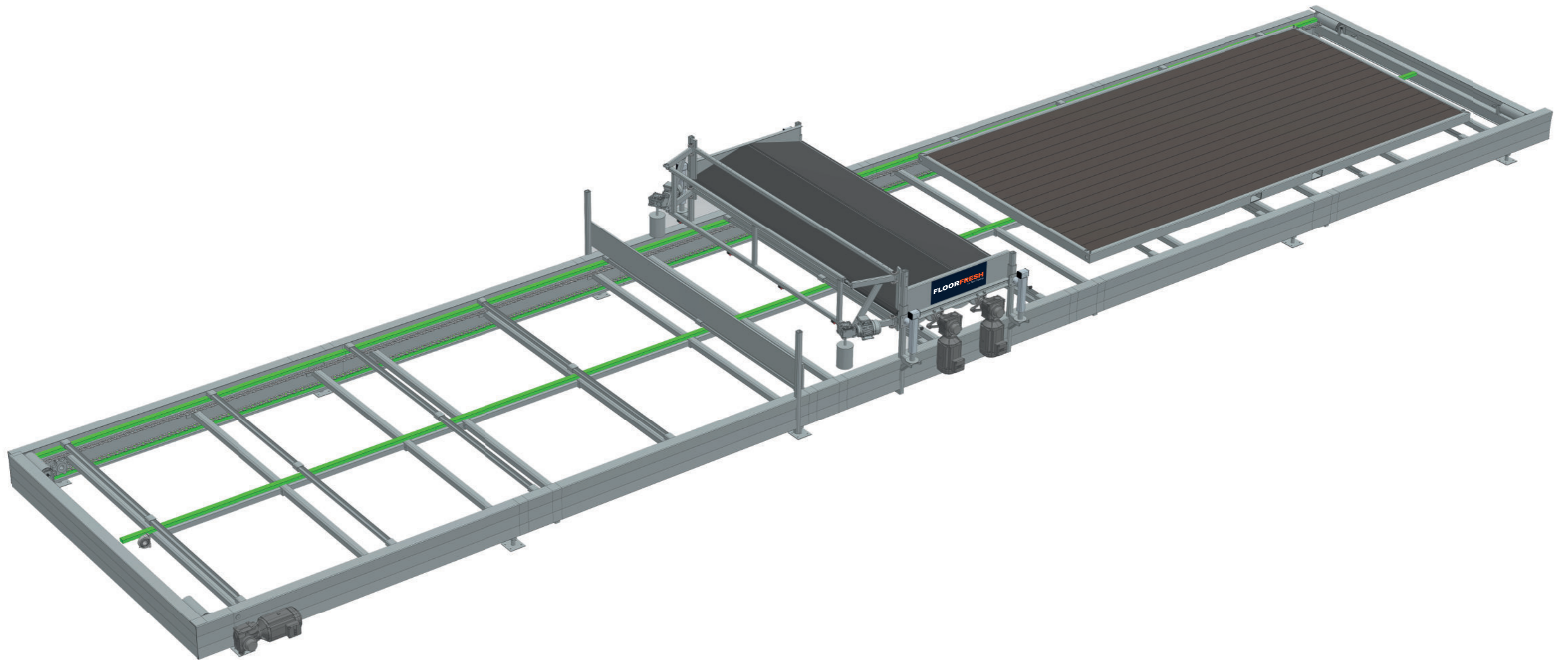


FLOORFRESH

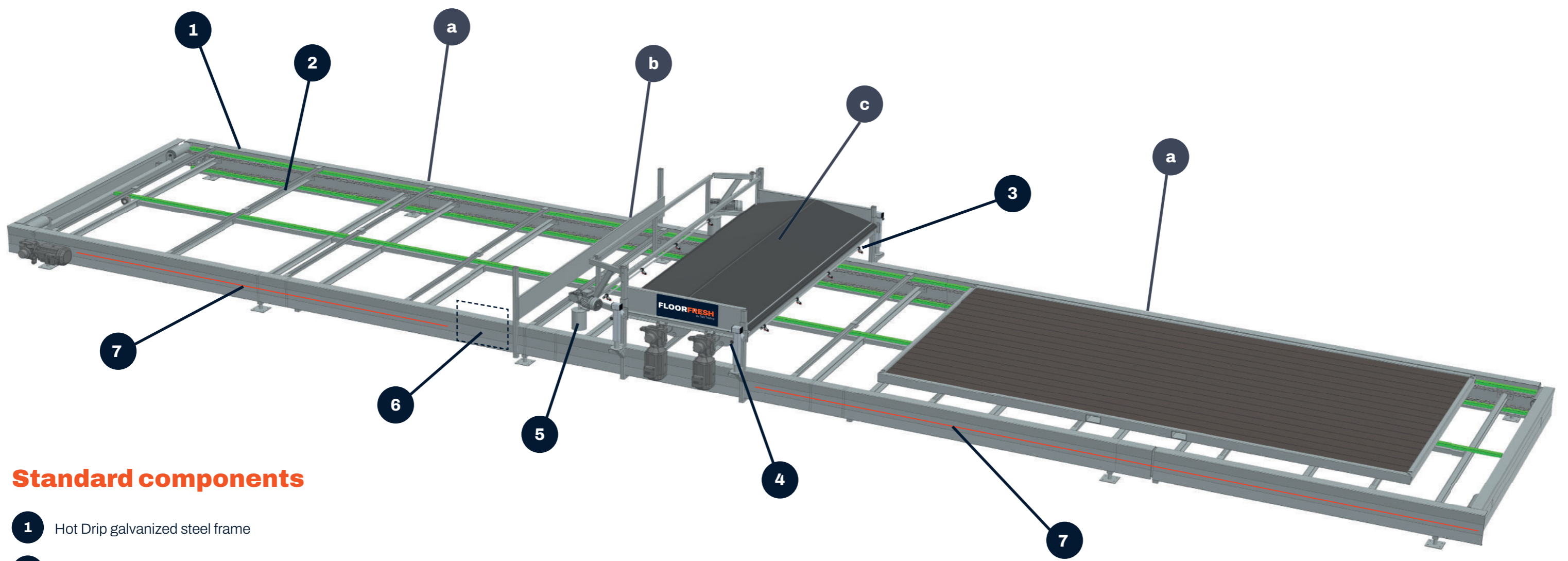
by Tent Trading



**THE WASHING MACHINE
FOR HEAVY-DUTY FLOORING**

DESCRIPTION

More information? Get in touch by emailing info@tenttrading.com or calling +31 (0)85 3014 279



Standard components

- 1 Hot Drip galvanized steel frame
- 2 Conveyor belt
- 3 Wash sprayer
- 4 Top brushes
- 5 Side brushes
- 6 Control box
- 7 Cable for emergency stop

Options:

- a Crash protection
- b Rubber floor squeegee
- c Stainless steel collection tray

TF-FC2500

More information? Get in touch by emailing info@tenttrading.com or calling +31 (0)85 3014 279

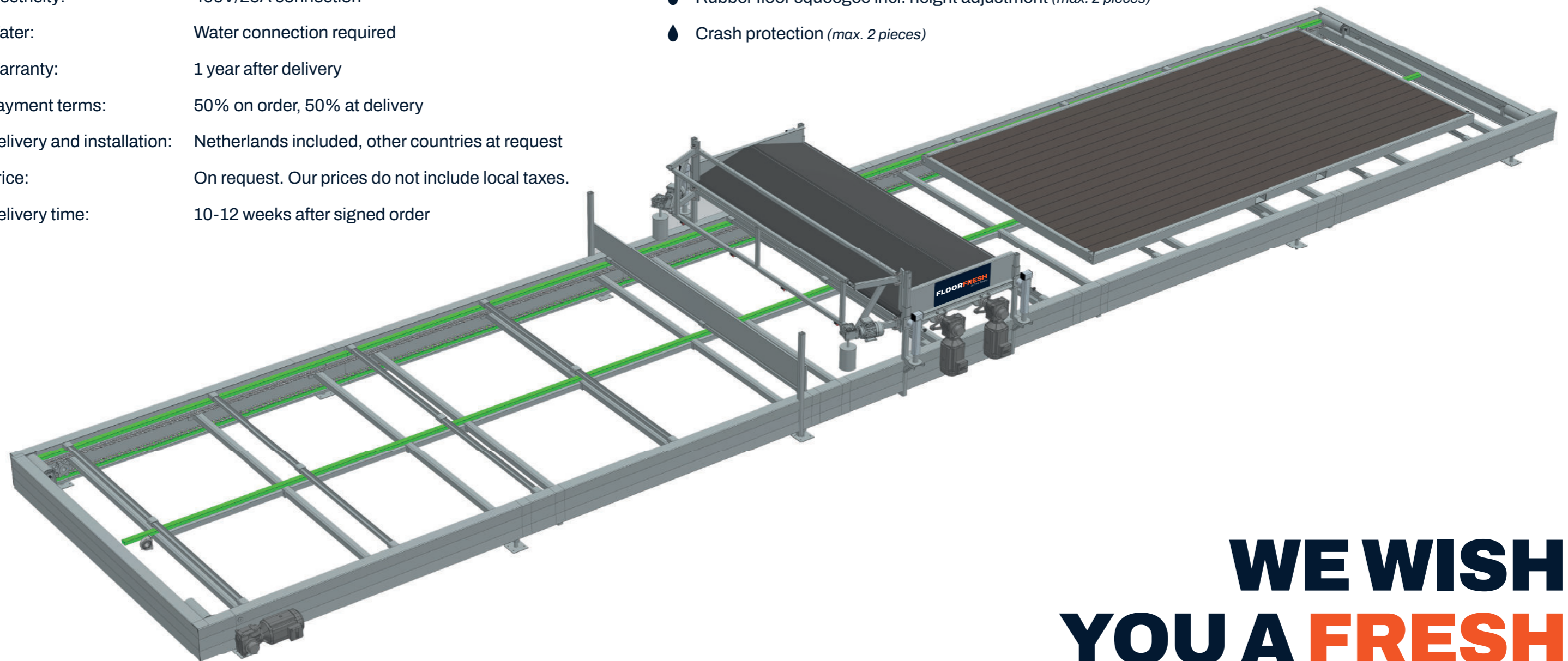
The TF-FC2500 floor washing machine is specially designed for cleaning heavy-duty floors and other sturdy tent flooring. With this machine, you can easily and quickly clean and dry the flooring, even when it's heavily soiled after a rental job. This way, you can always present your floors as good as new to your customers.

Overall information

Dimensions:	15.1 x 3.5 x 1.3 m (LxWxH)
Material framework:	Hot Drip galvanized steel
Electricity:	400V/25A connection
Water:	Water connection required
Warranty:	1 year after delivery
Payment terms:	50% on order, 50% at delivery
Delivery and installation:	Netherlands included, other countries at request
Price:	On request. Our prices do not include local taxes.
Delivery time:	10-12 weeks after signed order

Extra options

- High-pressure water system with high-pressure nozzles
- Stainless steel collection tray under brushes
- Rubber floor squeegee incl. height adjustment (*max. 2 pieces*)
- Crash protection (*max. 2 pieces*)



**WE WISH
YOU A FRESH
CLEANING!**